

# Jasco Z-Wave In-wall Tamper Resistant Smart Outlet JASCO®



## Specifications

**Power:** 120VAC, 60Hz **Signal Frequency:** 908.4/916

**Maximum Load for the Z-wave Controlled Outlet:**

960W Incandescent, 1/2 HP Motor 1800W Resistive

**Range:** Up to 150 feet from controller or closest Z-Wave device

**Operating Temperature:** 32-104° F (0-40° C)

**Warranty:** 5-year limited product warranty

**For indoor use only.**

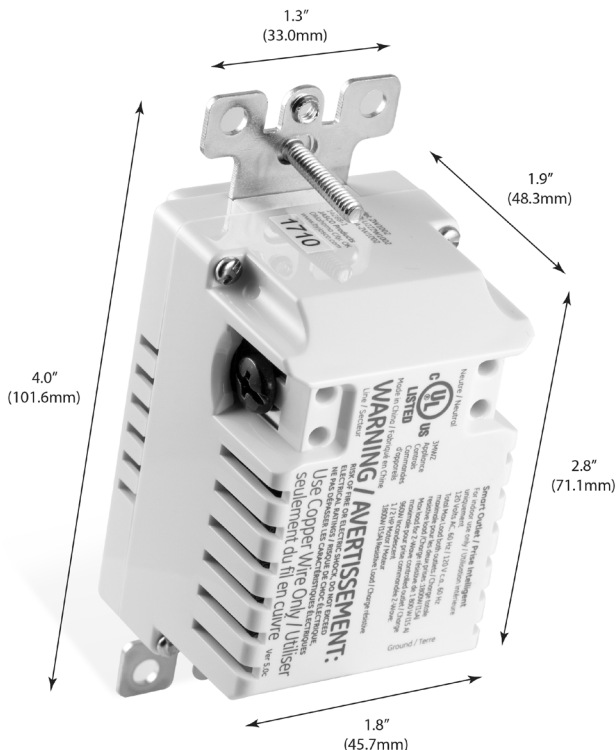
## Design Features

- Turn the connected device On/Off manually or via Z-Wave remote control
- Remotely monitor with any mobile device\*
- One Z-Wave remote controlled AC outlet (bottom outlet)
- Remote ON/OFF control via the Z-Wave controller/network
- Manual ON/OFF control with the front button
- One Always-ON pass through AC outlet (top outlet)
- Blue LED indicates ON/OFF status (supports advanced configuration for LED status)
- Z-Wave Plus certified
- White color

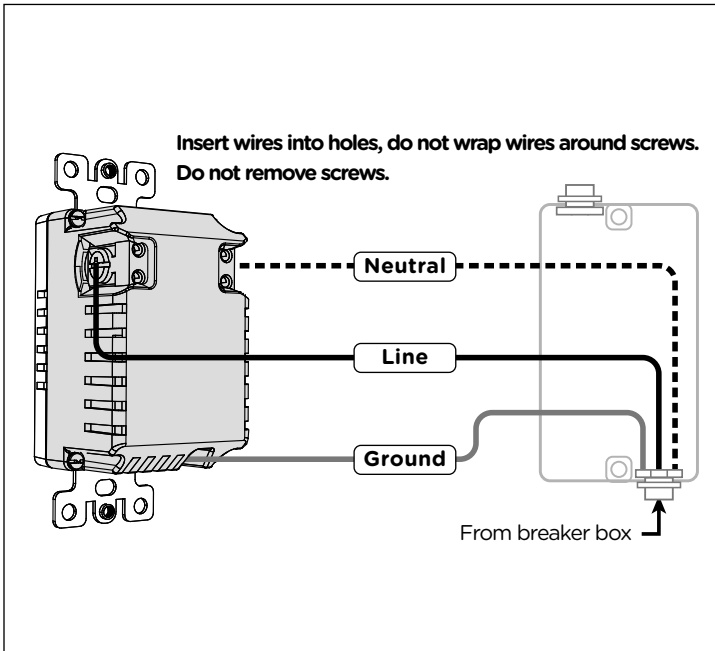
## Z-Wave Plus Features

- Works with Z-Wave Classic and Z-Wave Plus Products
- 50% more wireless range
- 250% faster processor
- 400% more memory
- 50% more energy efficient
- Supports wireless upgrades to future-proof your home

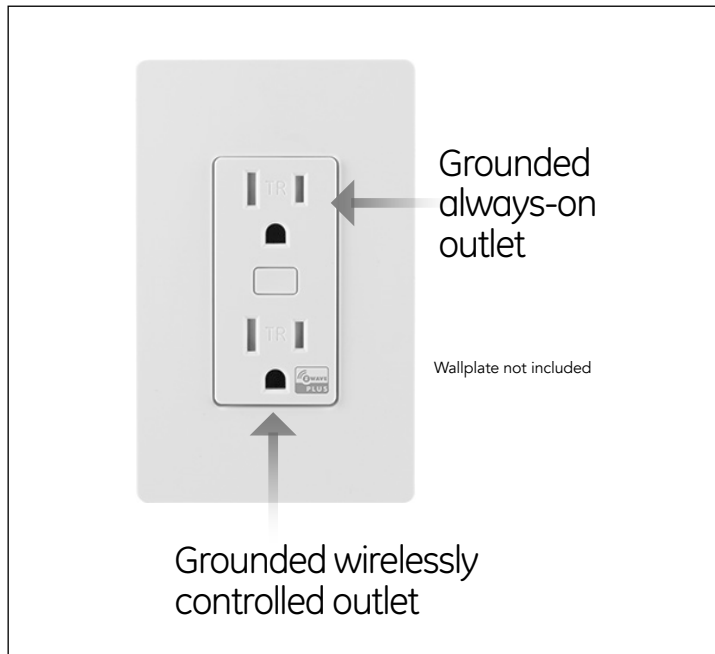
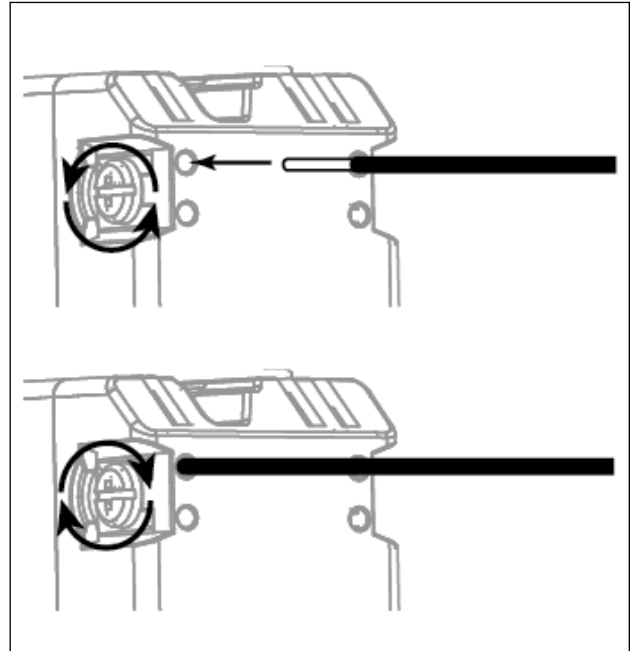
\* Requires Z-Wave hub or controller, functions may vary depending on brand.



**Single Location Wiring**



**Space-Saving Screw Terminals**



**Two Outlets**

Contains one grounded Z-Wave AC outlet and one standard grounded AC outlet.



**Tamper Resistant**

Prevents objects being forcibly inserted into a single slot.

- Improves child safety
- Prevents injuries associated with electrical receptacles
- Meets National Electric Code (NEC) requirements
- UL approved

**Installation Recommendations:**

- Devices require a 1-gang U.S. wall box. 3½ in deep recommended, 2¼ in deep minimum.
- Indoor use only
- Visit <http://www.ezswave.com/hubs/> for hub compatibility
- Wallplates sold separately
- Trilingual Instruction manual – (English, French, Spanish)
- Insert wires into holes, do not wrap around screws. Do not remove screws.

**Device Configuration**

**Adding your device to a Z-Wave network**

Once the hub is ready to add your smart outlet, press and release the button on the smart outlet to add it in the network.

**To remove and reset the device**

Once the controller is ready to remove your device, press and release the button on the smart outlet to remove it from the network.

**To return to factory defaults**

Press the button 3 times, then press and hold the button for at least 3 seconds. The LED will blink 5 times to confirm.

**Certifications & Compliances**



Compliances, specifications and availability are subject to change without notice.

Distributed by Jasco Products Company LLC  
10 E. Memorial Rd., Oklahoma City, OK

Questions? Contact our U.S.-based Consumer Care at  
1-800-654-8483 between 7AM-8PM, M-F, Central Time.

©Jasco 2021

**Related Products - Jasco Z-Wave In-Wall Smart Controls**



**46562**  
In-Wall  
Smart Switch



**46564**  
In-Wall  
Smart Dimmer



**34770**  
In-Wall Smart  
Motion Switch



**26932**  
In-Wall Smart  
Motion Dimmer